

The Yale logo consists of the word "Yale" in a bold, black, sans-serif font, centered within a bright yellow circle.

# Palladium Door Handle Sets

The Palladium series is offered in six lever styles. The handles have been created specifically for external doors with a long plate design which complements aluminium joinery. By having a range of levers, also available on other escutcheons within the Yale product range, customers can achieve a consistent look throughout the home by matching their internal and external door hardware.

#### Features:

- Can be used with Optimum and Twin Bolt locksets
- New springing detail improves feel and performance
- Non-handed
- Strong zinc die-cast construction
- Fixing details identical to Verona handles, ideal for replacement situations

#### Options:

- Locking
- Non-locking
- Fixed (dummy)

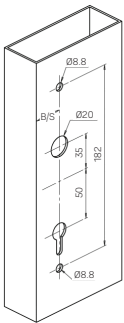
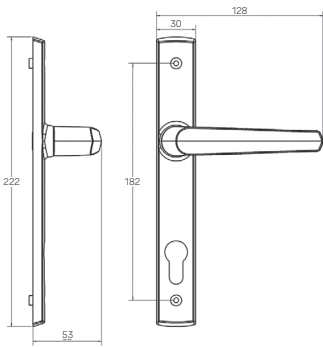
Available in a wide range of powdercoat colours and satin chrome finish



Trusted every day



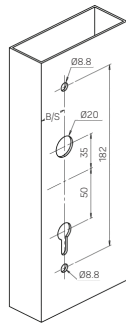
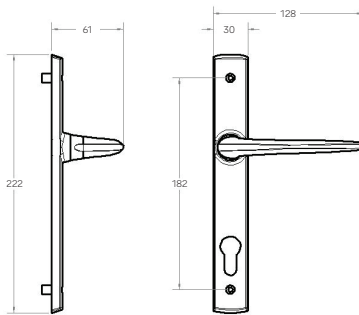
Aria (27)



\* B/S (backset): check relevant lock details for these dimensions



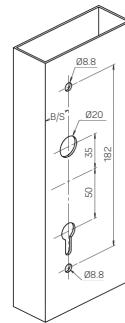
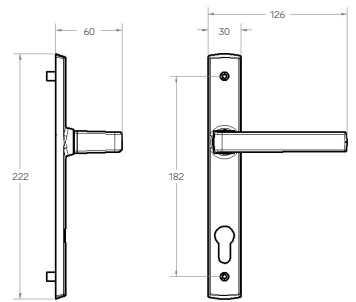
Summit (L1)



\* B/S (backset): check relevant lock details for these dimensions



Acacia (29)



\* B/S (backset): check relevant lock details for these dimensions

RES-FLY-058\_0/421